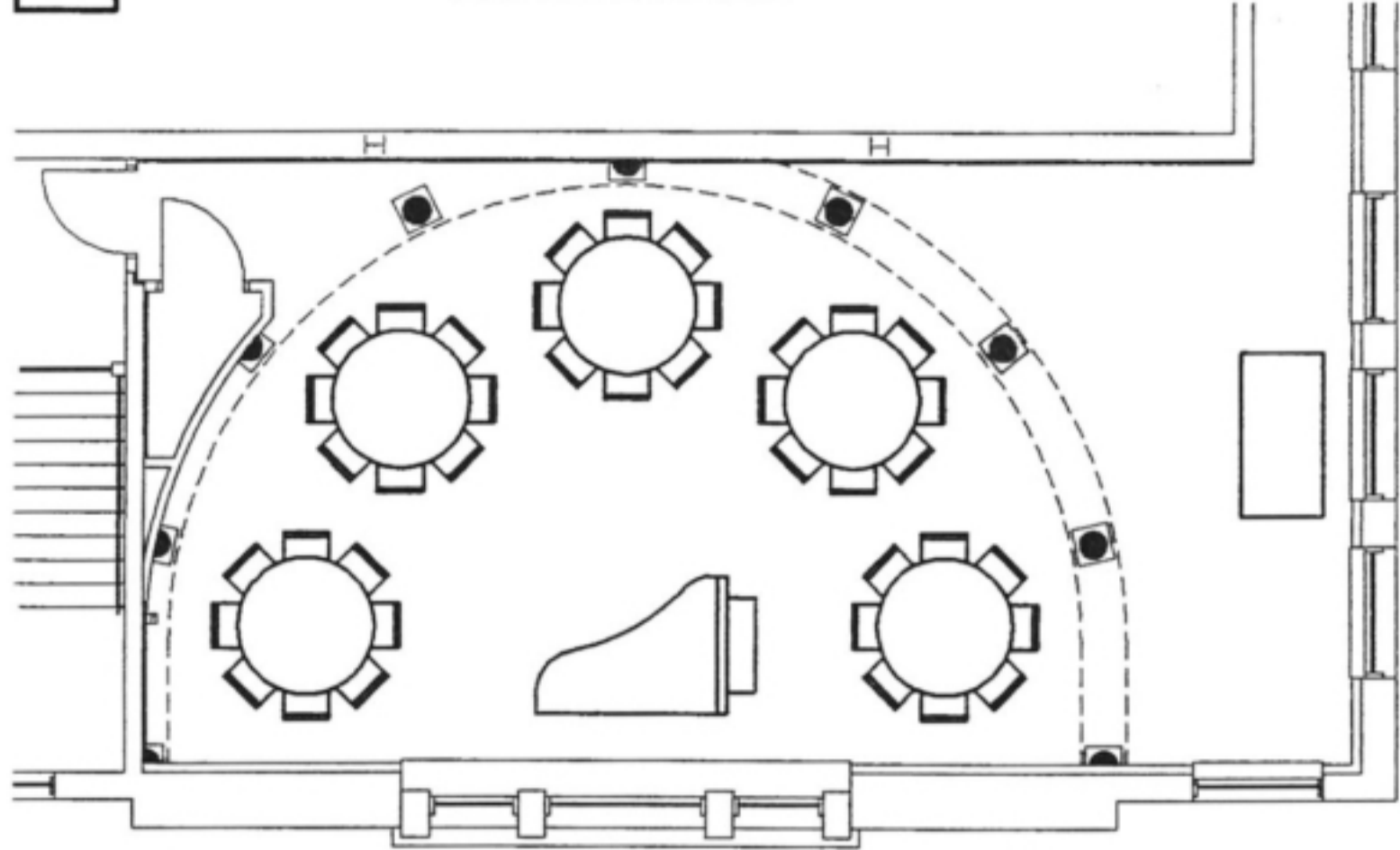
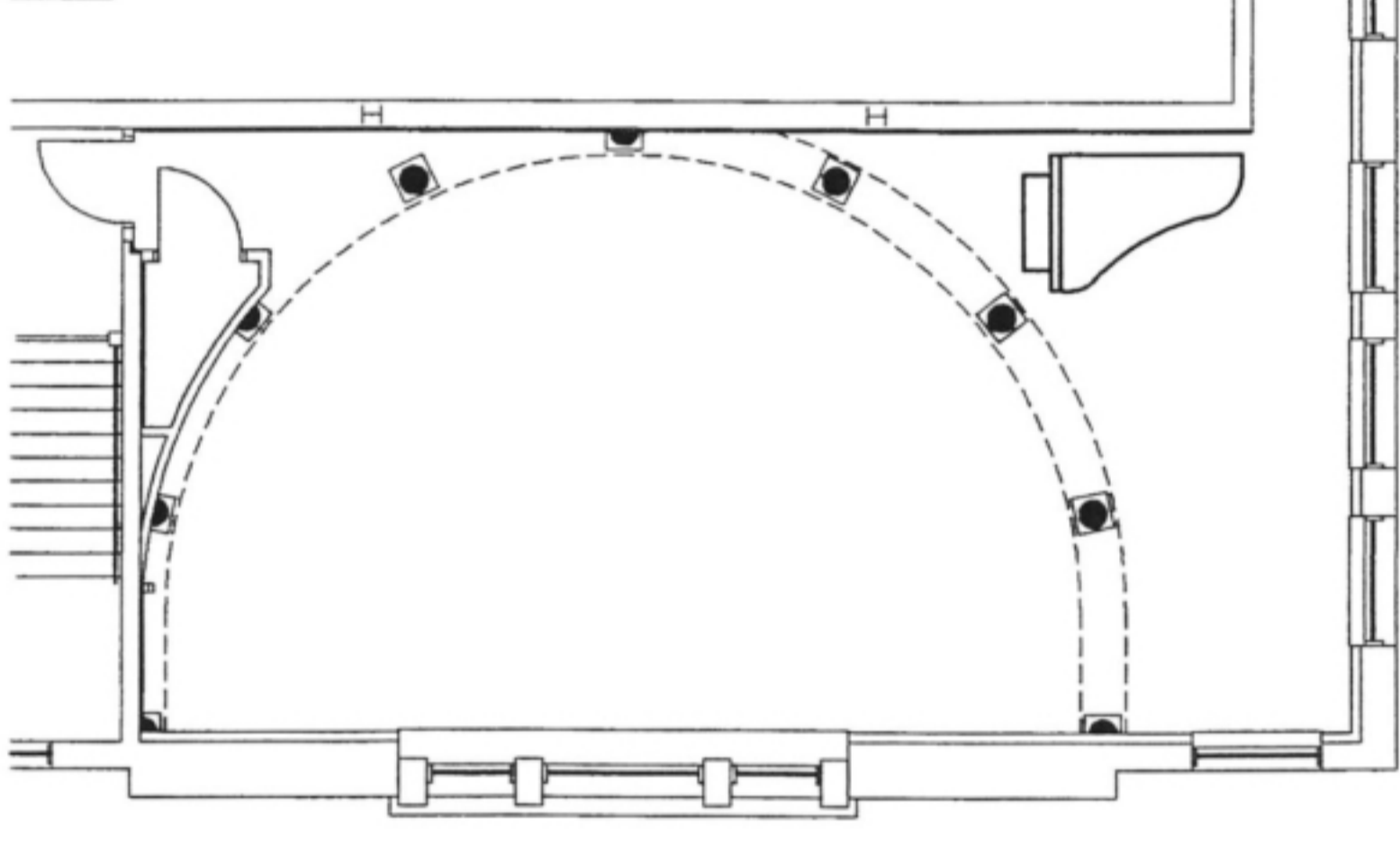


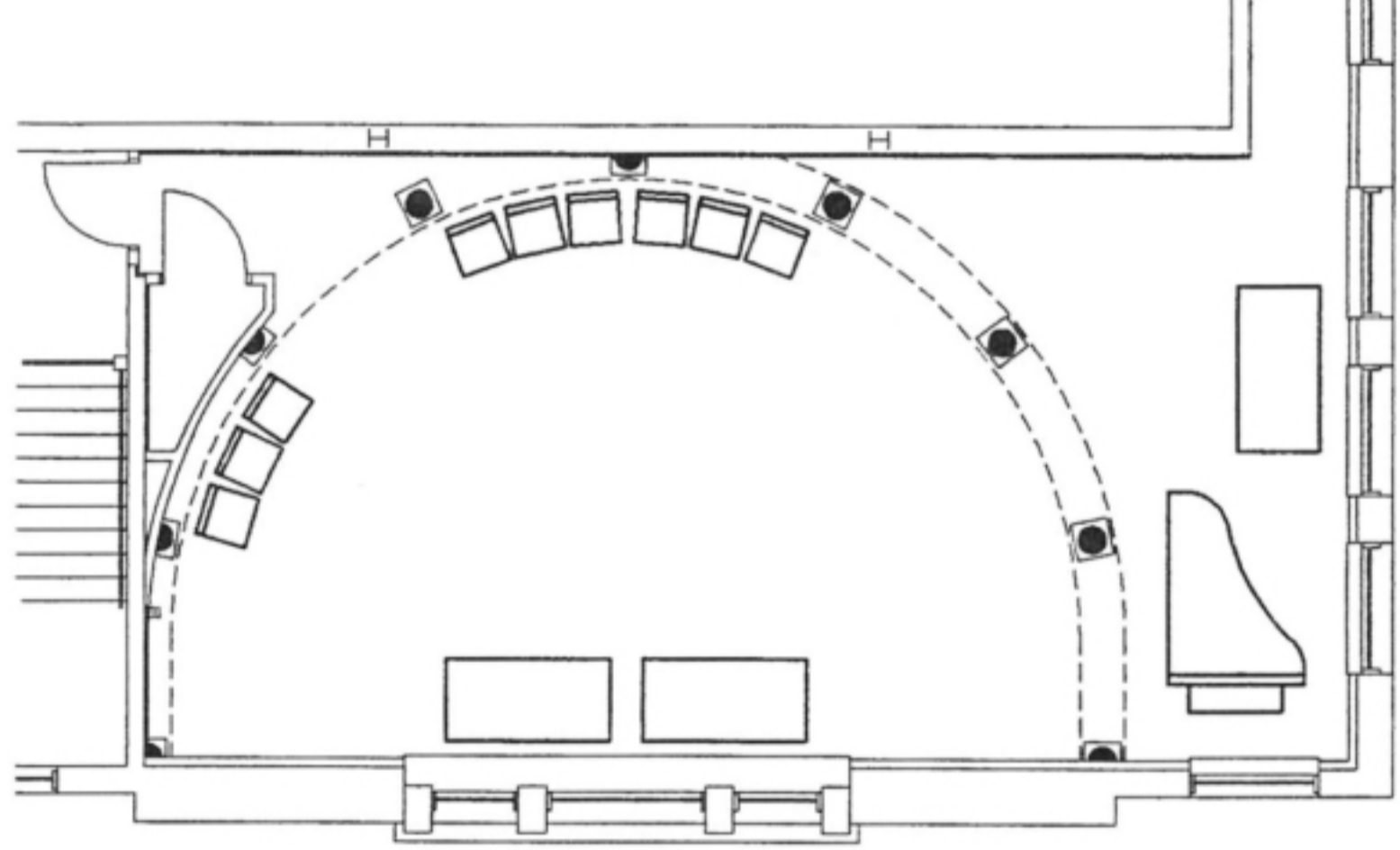
1 SEATING FOR 48



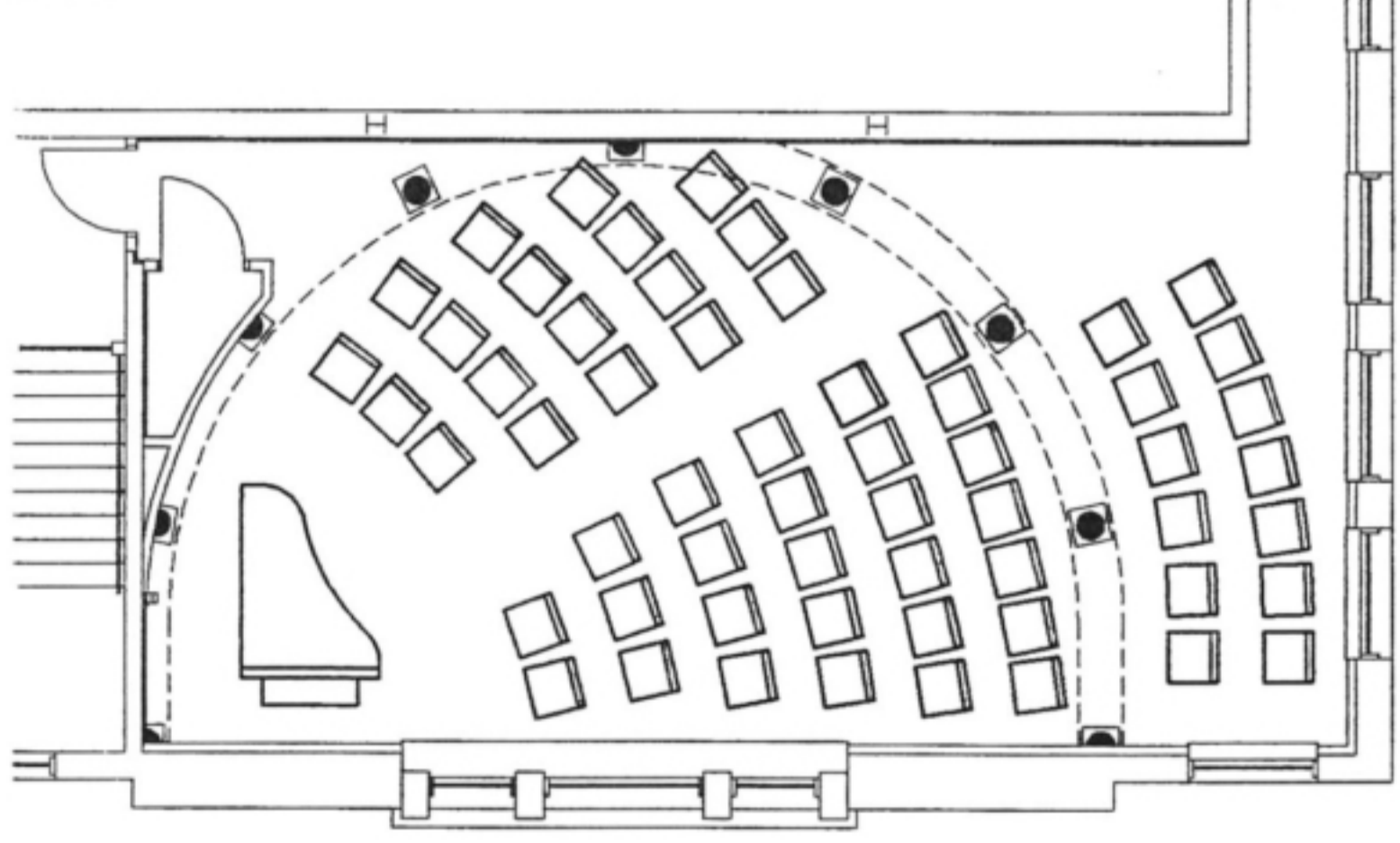
2 SEATING FOR 40



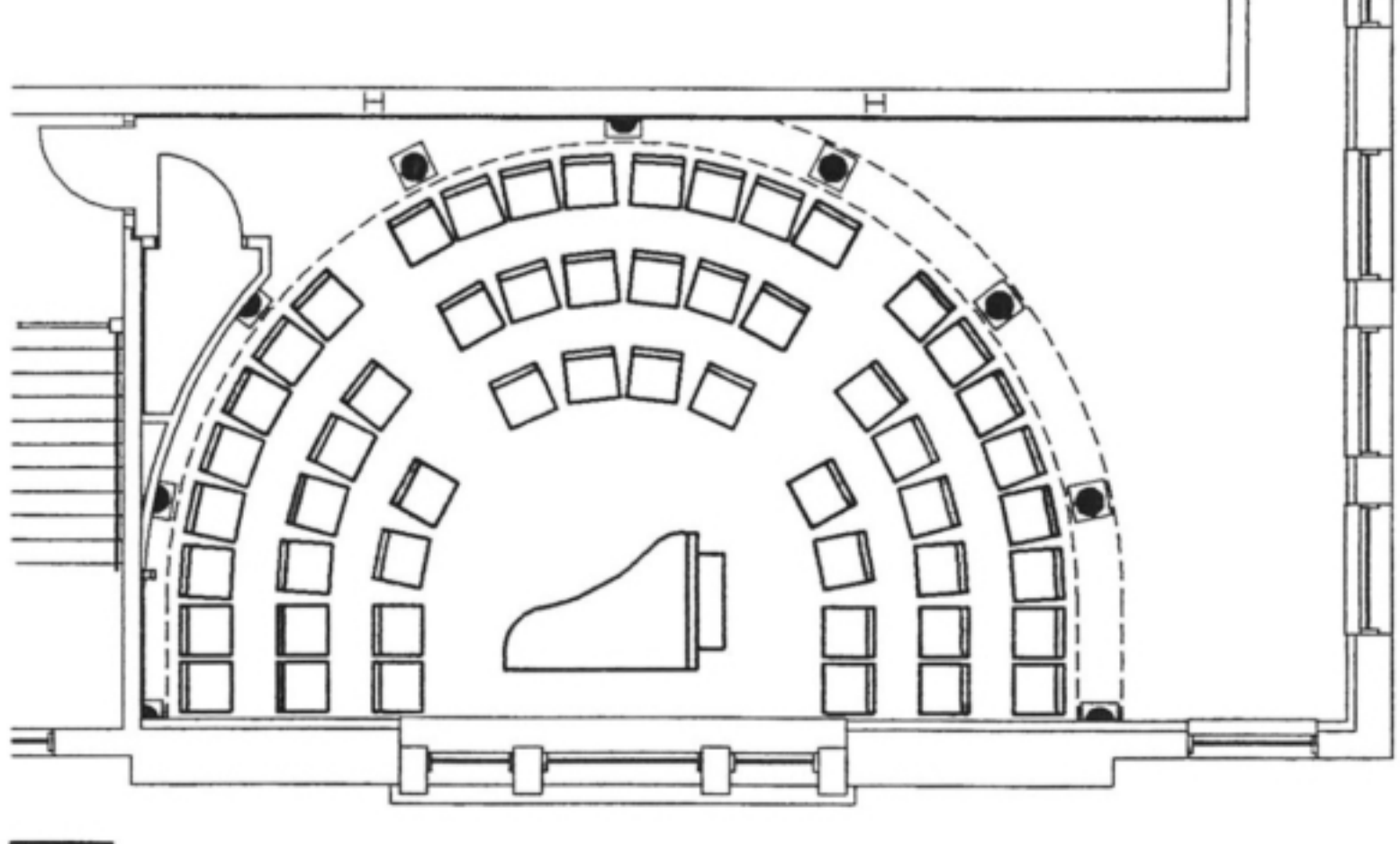
3



4



5 SEATING FOR 58



6 SEATING FOR 54

CONSERVATORY SEATING PLANS

NO SCALE

AUGUST 23, 2001